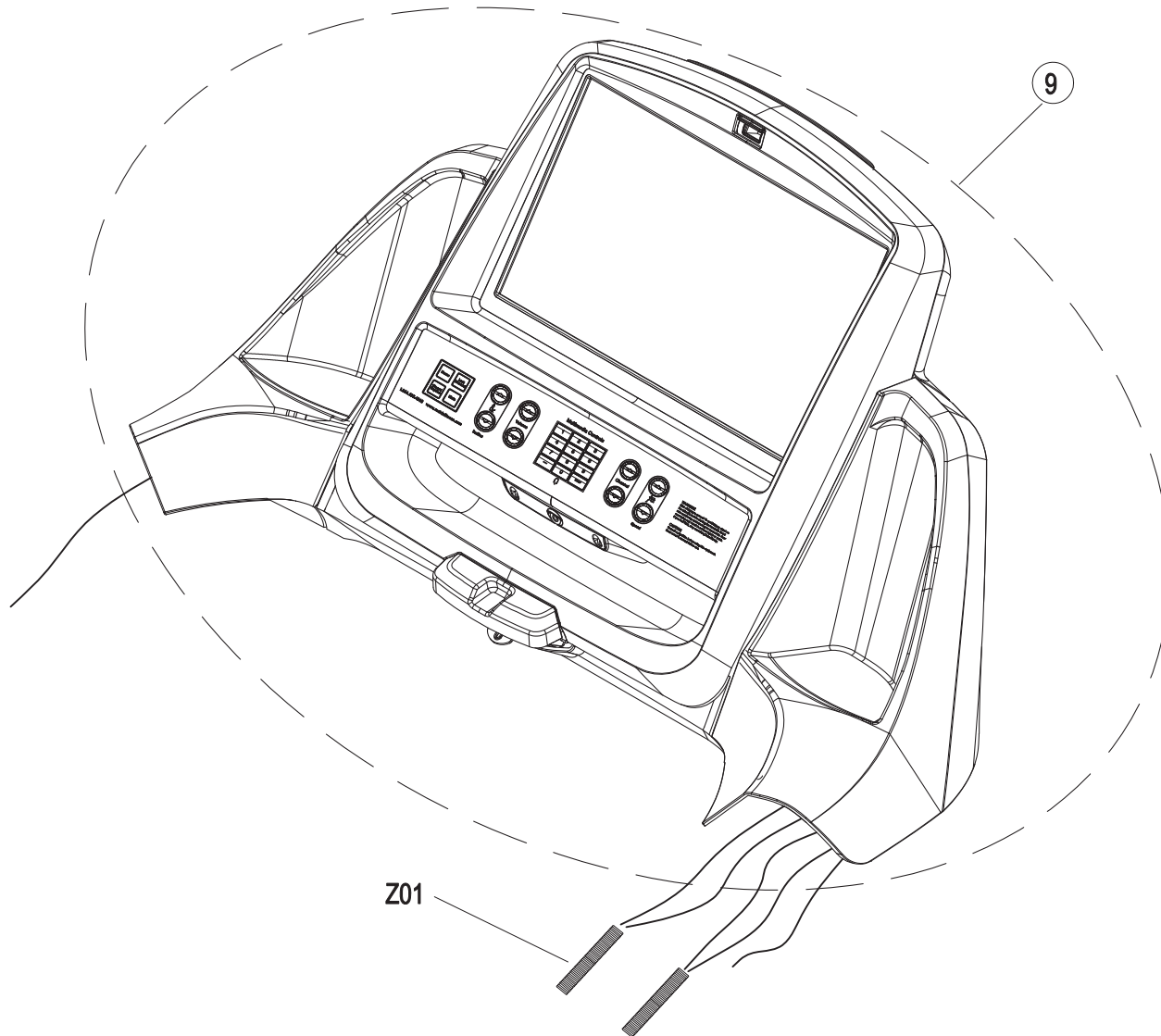
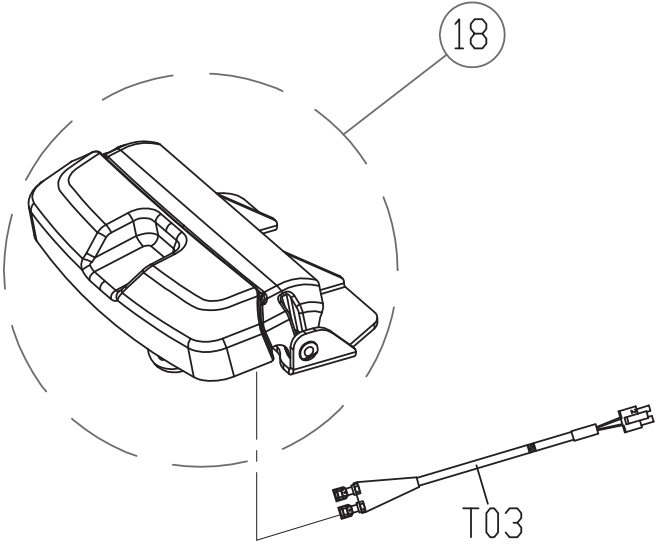


DRAWING NO	PTM526-1US-C		
PART NAME	Explosive Rendering		
PART NO	MTM0424-00		A
APPROVE	Huanghai	DATE	2015.3.26

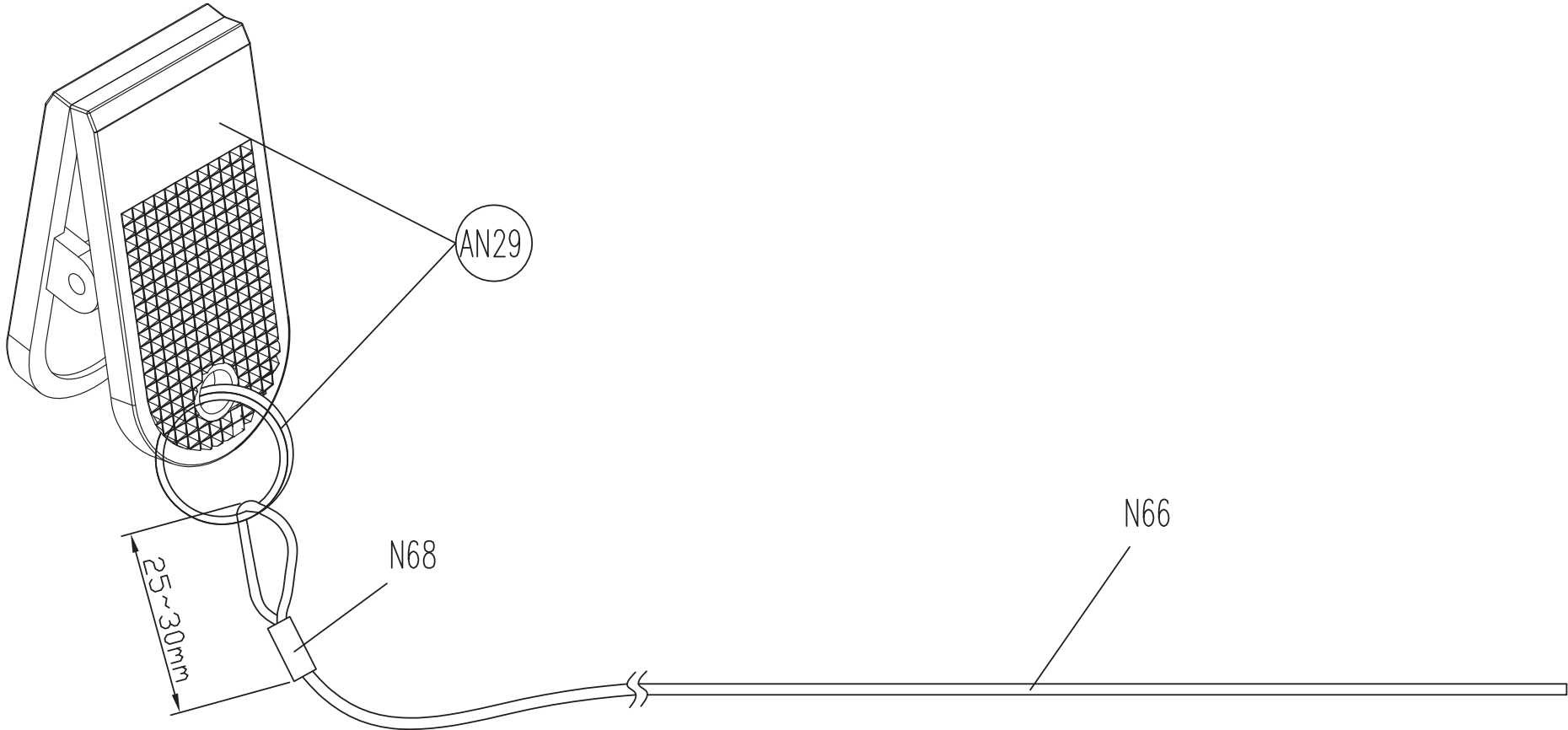


DRAWING NO	TM522-AT1		
PART NAME	Soft Switch Set		
PART NO	1000231006	REV	A
APPROVE	Kyle	DATE	061112

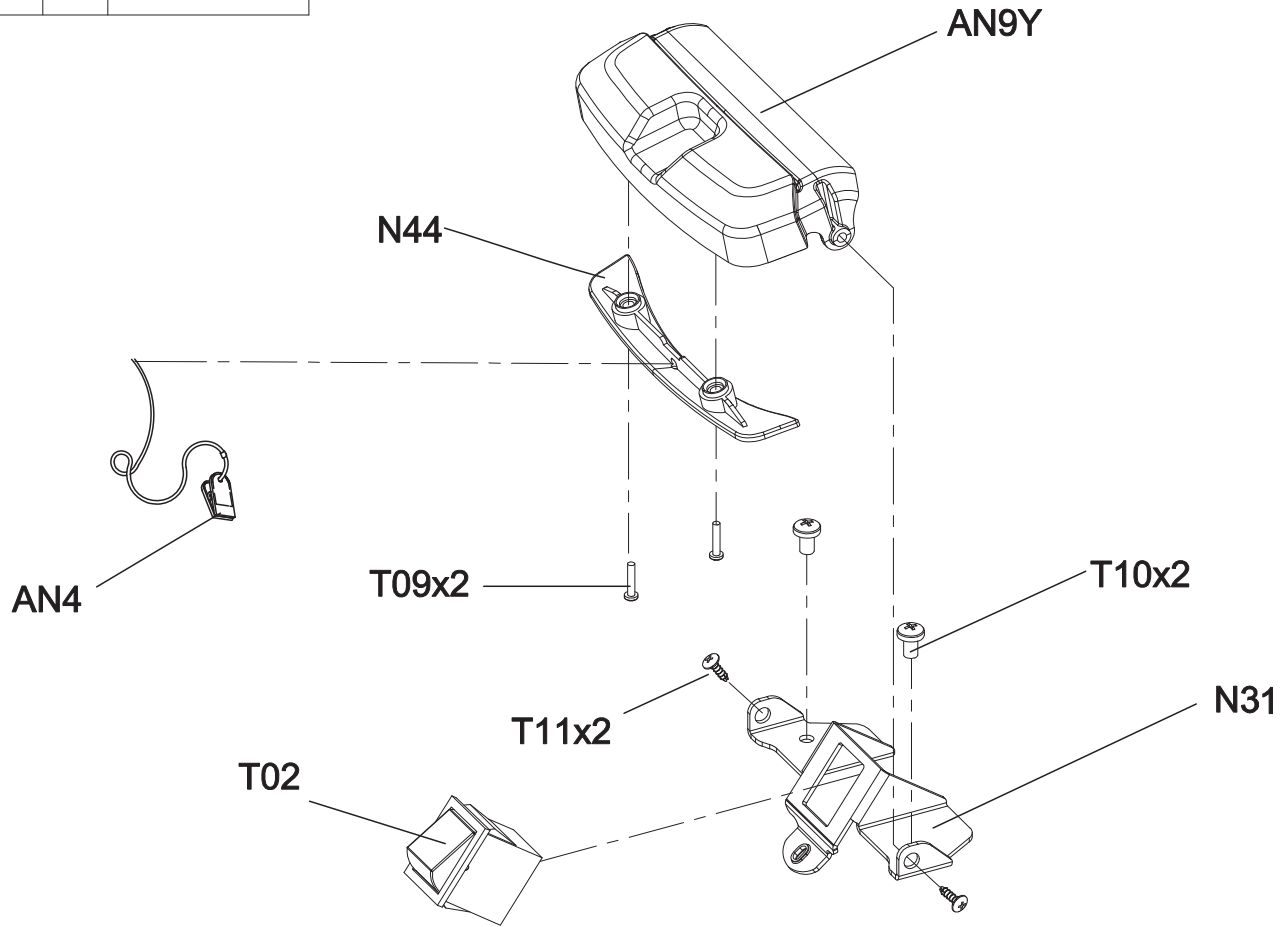


DRAWING NO	TM501-AN13		
PART NAME	Safety Switch Set		
PART NO	1000231246		
APPROVE	SHUYI	DATE	070813

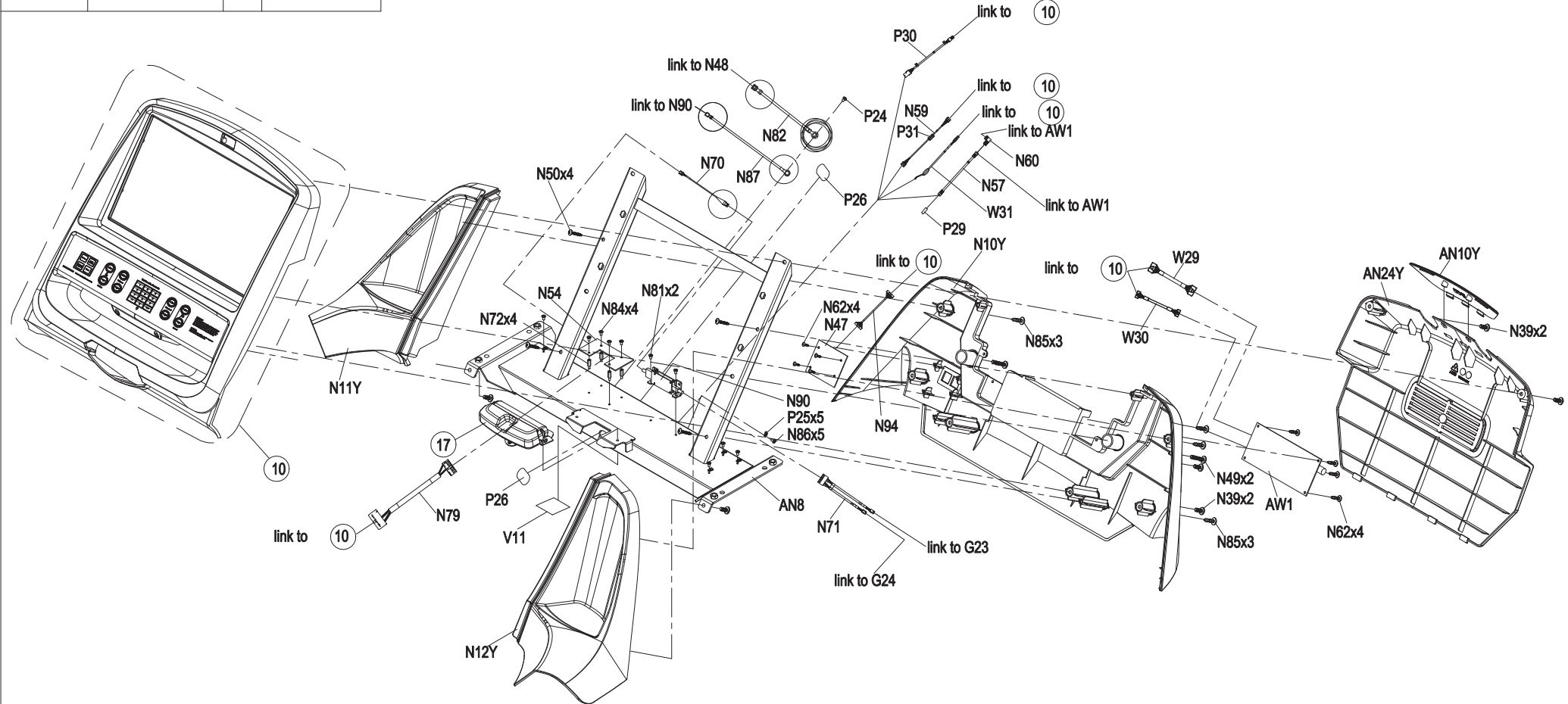
備註: 組裝後總長度(含夾子/鑰匙圈)860~870mm  
 Note: Length of assembly(Chip/Key ring)860~870mm



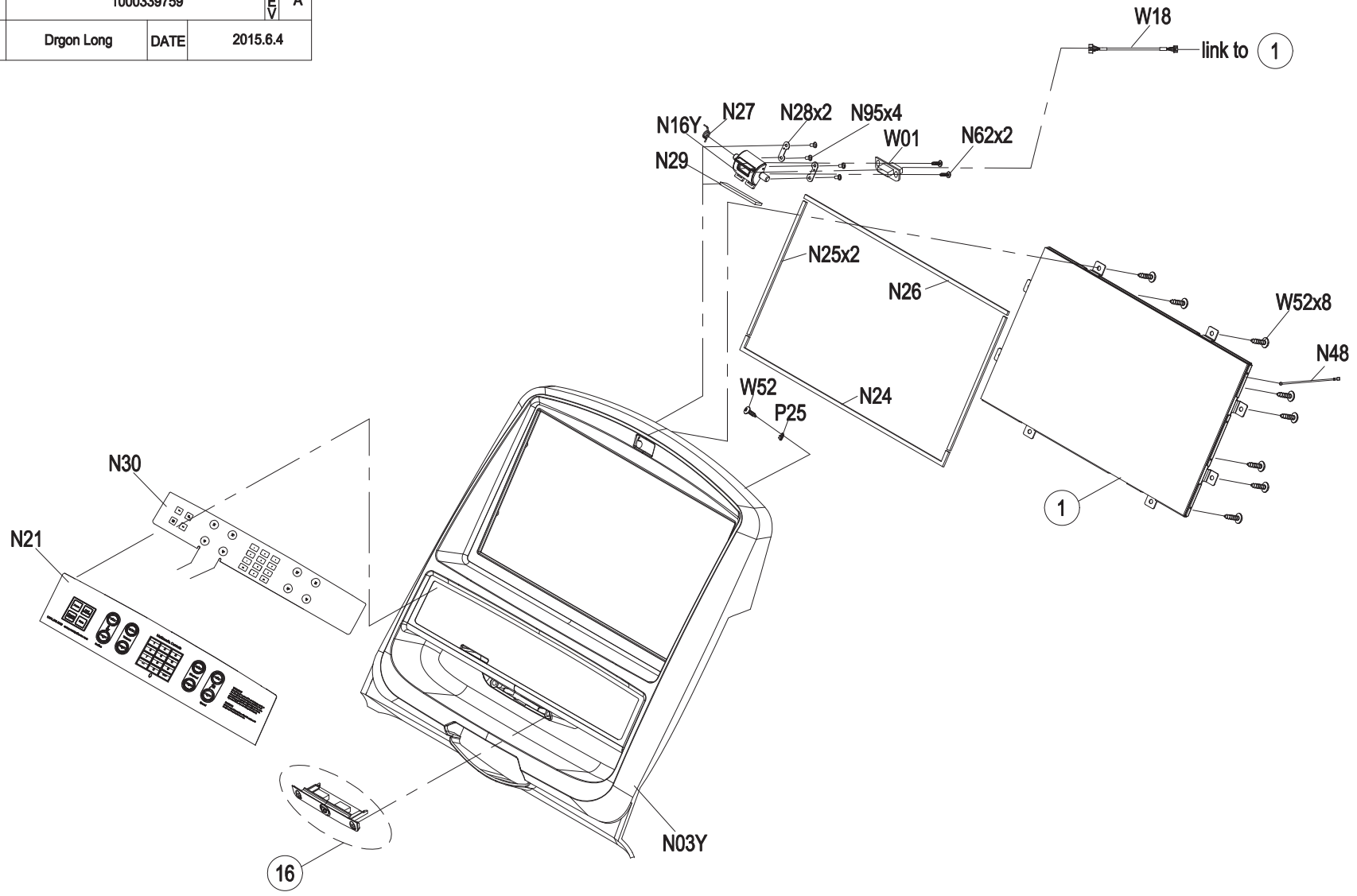
DRAWING NO	TM522-AT11		
PART NAME	Switch Set; Emergency		
PART NO	1000300535	REVIEW	A
APPROVE	Dragon Long	DATE	2015.06.04



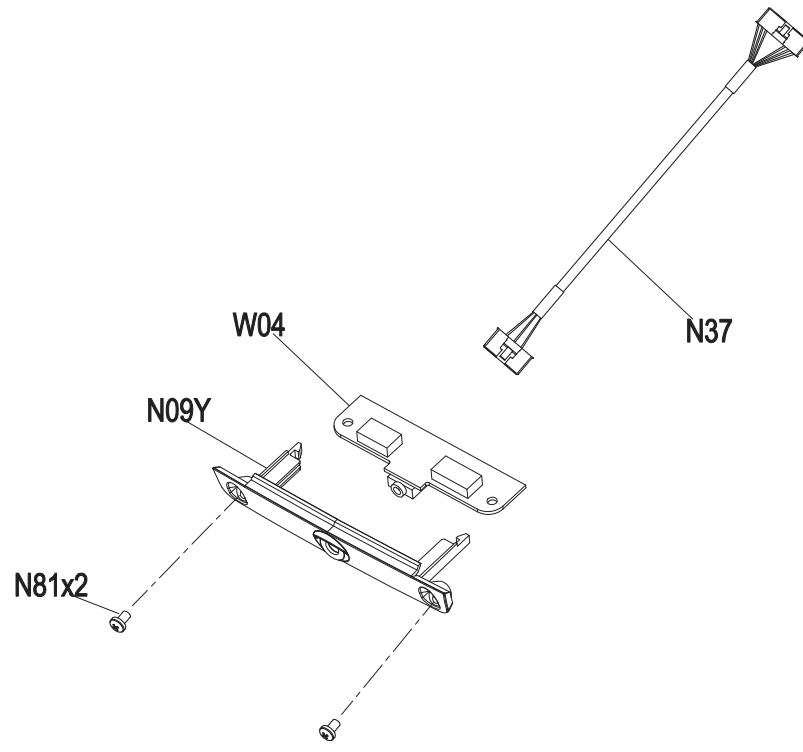
DRAWING NO	TM526-AN6		
PART NAME	Console Set		
PART NO	1000339757	REV	A
APPROVE	Drgon Long	DATE	2015.06.04



DRAWING NO	TM526-AN10		
PART NAME	Console Cover Set		
PART NO	1000339759	REV	A
APPROVE	Drgon Long	DATE	2015.6.4



DRAWING NO	TM524-AN8		
PART NAME	EARPHONE FIXING COVER SET		
PART NO	1000359612	REV	A
APPROVE	Dragon Long	DATE	2015.06.04



Bubble#	OEM Number	Description	Notes
		TFT Module 15.6 inch F G022 xir Black - D/C, NO REPL Part will show as orderable until stock is depleted - <a class="action-link" href="https://support.johnsonfit.com/product/hybrid/78632/4293/1332688">REFURB PART AVAILABLE: &lt;a href="https://support.johnsonfit.com/product/hybrid/78632/4293/1332688" class="action-link" target="new"&gt;*Click here to open Refurb Parts</a>	
1	1000354904	List*	TFT module only.
17	1000231006	Safety Key Set T-1x-03-C	
18	1000231006	Safety Key Set T-1x-03-C	
AN10Y	0000086724	Cover Console Display TV Rack Printing T	
AN24Y	1000229245	Repair Cover Console - ABS/PA746 SL/GY/8	
AW1	1000425274	Tuner Module REV 2.0 S20170417 US for	
N10Y	1000231624	Console Cover,back,ABS 746,SL/GY,80547,T	
N11Y	1000231625	Console Cover,Kettle Rack,left,ABS 746,S	
N12Y	1000231626	Console Cover,Kettle Rack,right,ABS 746,	
N16Y	1000226522	Extrawork USB Cover Printing TM521	
N21	1000229339	Documentation Overlay Manipulate Down En	
N27	1000226524	Torsional Spring - USB SUS304 TM521	
N28	1000226525	Fixing Plate USB SECC 1.0t T-7xi-C	
N29	1000303128	Foam - 48x5x3.0t Black - TM524	
N30	1000231561	Key,TV,1,24Keys/PET/0.125T,T-1xe/3xe-04-	
N39	1000228688	SCREW BH M5X0.8PX12L PH BAN	
N47	1000228682	Control Board C-SAFE H001 NA TM519	
N48	1000232713	WIRE CONSOLE GND 150(KST,MDFNYD2-2	
N49	020016-AB	Screw Phillip BH Stainess M5x0.8Px30L	
N50	1000231688	SCREW BH ?p5x1.6Px35L(HI-LO) PH BZN	
N54	0000086912	Translator Board Console H002 T1x	
N57	1000229263	TV Signal 1700 (FM-0086-NBG7)x2	
N59	1000229265	COMM Wire Digital 2100(MOLEX,50-70-9408x	
N60	065247-A	TV Exchange Connector F HDR Into F HSG 9	
N62	008864-A	Screw Special Round 2.9x1.06Px7L(Hi-Lo)	
N70	1000231005	WIRE H/P - - - 200(2510A-03 XAP-03) T-1X	



N71	1000229262	Grip Sensor 300+550mm (TKP,2510A-06+TKP,	
N72	0000084677	Plastic Pillar Round ID 3x14L 6.3L whit	
N79	1000229073	Wire Keypad 300(3M1DC 7920-B500x2) T-1x-	
N81	0000088743	Screw TRH M3x.5Px6L MT PH CST ZNC F-T	
N82	0000091827	Filter Ground Wire 300L KST FDFNYD2-250	
N84	0000082875	Screw BH M3X0.5PX20L PH BZN	
N85	1000231078	SCREW BH ?X5X1.6PX12L(HI-LO) PH BZN	
N86	0000089082	Screw Flange Tapped 3x6L	
N87	1000229267	Wire GND Pulse Board 150(KST,MDFNYD2-250	
N90	1000229074	Heart rate receiver,RF HR,Salutron 8600,	
N94	1000231012	C-SAFE+CARDIO Wire 300+200(TKP,H20J2-15	
N95	020005-00	Screw Phillip Round M3x6L Zn-BL	
Not Shown	1000353430	Memory card set 16G TM526	Micro SD card for 10-pack VA
Not Shown	1000369229	TV Signal Connector PAL MALE TO F FEMALE	Coax adapter for tuner.
Not Shown	1000341128	Screw set Semi-Assy TM526 1US T-3xh-C	
P24	004370-00	Screw Phillip BH M5x0.8Px10L Zn-BL	
P25	001682-00	Clip Tie Strap Hold Down HC-0L P	
P29	0000093219	Jacket PVC A5X-03-F US EP79	
P30	1000231025	WIRE SIGNAL CABLE SET 1900(TKP,H6630P1-	
P31	1000307041	Ferrite Choke Snap-Together FH36.0x13.0x	
T02	0000084630	Safety Switch R13-69 TM501	
T03	1000231004	WIRE CONNECT 400(250X2 6630R1) T-1x-03-C	
T09	004614-00	Screw BH 3X10L SM PH BAN POT	
T10	004376-00	Screw BH M5X0.8PX8L CT PH BZN	
T11	0000093244	Screw Phillip BH Tapped 4x8L Zn-BL	
V11	1000339760	Spec Label ETL T-3xh-C TM526	
W01	1000213752	Control Board USB H001 U10CA1	
W18	1000354185	USB Wire Black 24AWG 350mm JST,XAP-06	
W29	0000088957	Wire Tuner Signal 250(PAP-12V-Sx2) T1xe	
W30	1000229303	Signal CONN 250mm (JST,PAP-06V-S)x2	
W31	1000339758	DC Power Wire 20AWG 2100L TM526	
W52	1000231078	SCREW BH ?X5X1.6PX12L(HI-LO) PH BZN	
16	1000359612	Earphone Cover Set T-1xe/3xe-04-C TM5	

9	Order Kit 10	Console set EKS TM526 GUI B1.3.1 OS	Discontinued - See the service bulletin, "Console History/Replacement".
AN29	Part of Kit 17	Safety Switch Clip Set BL(Include Ring)	
AN4	Part of Kit 17	Safety Key Set TM501-1US	
AN8	1000366730	Console Base Set Semi-Assy TM522-AN8	
AN9Y	Part of Kit 17	Safety Key Cover-Extrawork upper coverr	
N03Y	1000229335	Console Faceplate PC 510 Gray/80435 T	
N09Y	Part of Kit 16	Cover1 Earphone ABS/PA746 Gray/80435 E	
N24	Part of Kit 10	FOAM OVERLAY COVER 359.4x5x3.0t T-1xe/3x	
N25	Part of Kit 10	Foam - 187.7x5x3.0t Overlay Cover T-1xe/	
N26	1000233019	FOAM OVERLAY CVOER 359.4x5x3.0t T-1xe/3x	
N31	Part of Kit 17	Fix Plate Emergency SPHC 1.6t BED TM501	
N37	Part of Kit 16	Head Phone Board Connect wire Black	
N44	Part of Kit 17	Cover Safety Key down ABS/PA746 187C TM	
N66	Part of Kit 17	Safety switch line f3x785L BL	
N68	Part of Kit 17	Line deduction Galvanized iron Safety s	
W04	Part of Kit 16	EAR PHONE BOARD JHT-U07AB5-H003 T5x-03	
		Control Board Module 15.6 inch OS3.5.12\\ D/C, NO	
1	1000353410	REPL: Part will show as orderable until stock is depleted. Panel Board Set With touch screen 15 - <mark>REFURB PART AVAILABLE: <a href="https://support.johnsonfit.com/product/hybrid/78632/4293/1332688" class="action-link" target="new">*Click here to open Refurb Parts List*</a></mark>	Discontinued - See the service bulletin, "Console History/Replacement".
1	<b>1000365697</b>	List*	Discontinued - TFT module only.
10	1000339759	Console Cover Set up ES T-3xh-C TM526 Console Cover Set up English TM709-1US - D/C, NO REPL Part will show as orderable until stock is depleted	Discontinued - See the service bulletin, "Console History/Replacement".
10	1000375456		Discontinued - See the service bulletin, "Console History/Replacement".
18	<b>1000300535</b>	Safety Key Set TM522	Discontinued
AW1	<b>1000228357</b>	TV Tuner Hybrid ATSC/NTSC/PAL-N	Discontinued
AW1	<b>1000232091</b>	Tuner module set	Discontinued

P26	001597-A	GROMMET NYLON WHT	Discontinued
Z01	019210-A	WAVE TUBE CR-11SP 14x10.7 200m/coil	Discontinued